

# EMULTEK 4

FLEXIBLE EMULSION PRODUCTION AT EVERY JOBSITE

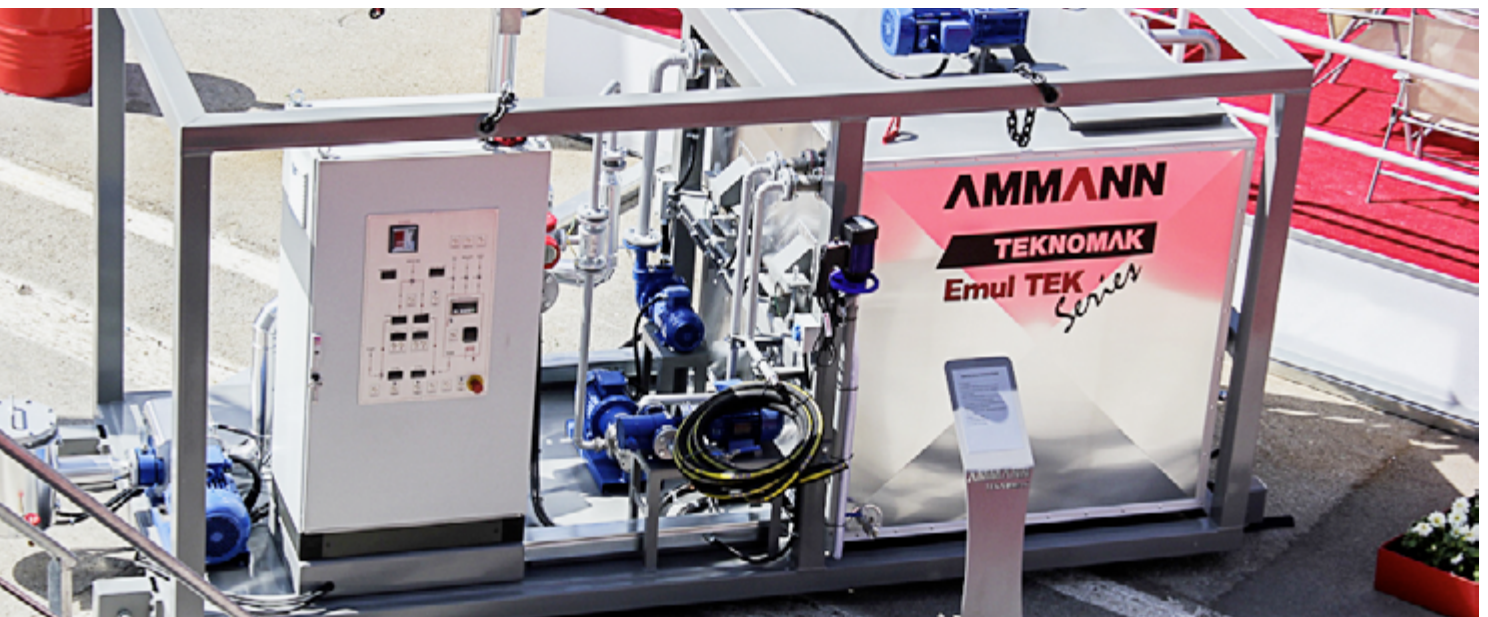
With its compact design and simple process, EmulTEK 4 is the perfect solution for different jobsites. The system is easy to transport and offers many solutions to the different emulsion needs.

## USAGE OF EMULSIFIED BITUMEN

- Tack coat between binder and wearing courses
- Prime coat
- Surface dressing
- Slurry seal
- Micro surfacing

## HIGHLIGHTS

- Up to 4 t/h capacity
- Semi-automated control and reporting system by SCADA based software over PLC
- Colloidal mill
- Flexibility for different mix designs and recipes
- Easily transportable, suitable for container
- Hot water inlet



Bitumen flow meter



Bitumen – WAE mixing

## TECHNICAL DATA EMULTEK 4

STAINLESS STEEL PREMIX TANK ON LOAD CELLS

HEATING LINES FOR RAPID WATER HEATING

STAINLESS STEEL WAE PUMP AND FLOW METER

BITUMEN FLOW METER WITH HEATED BODY

BARREL PUMP FOR ADDITIONAL SAFETY

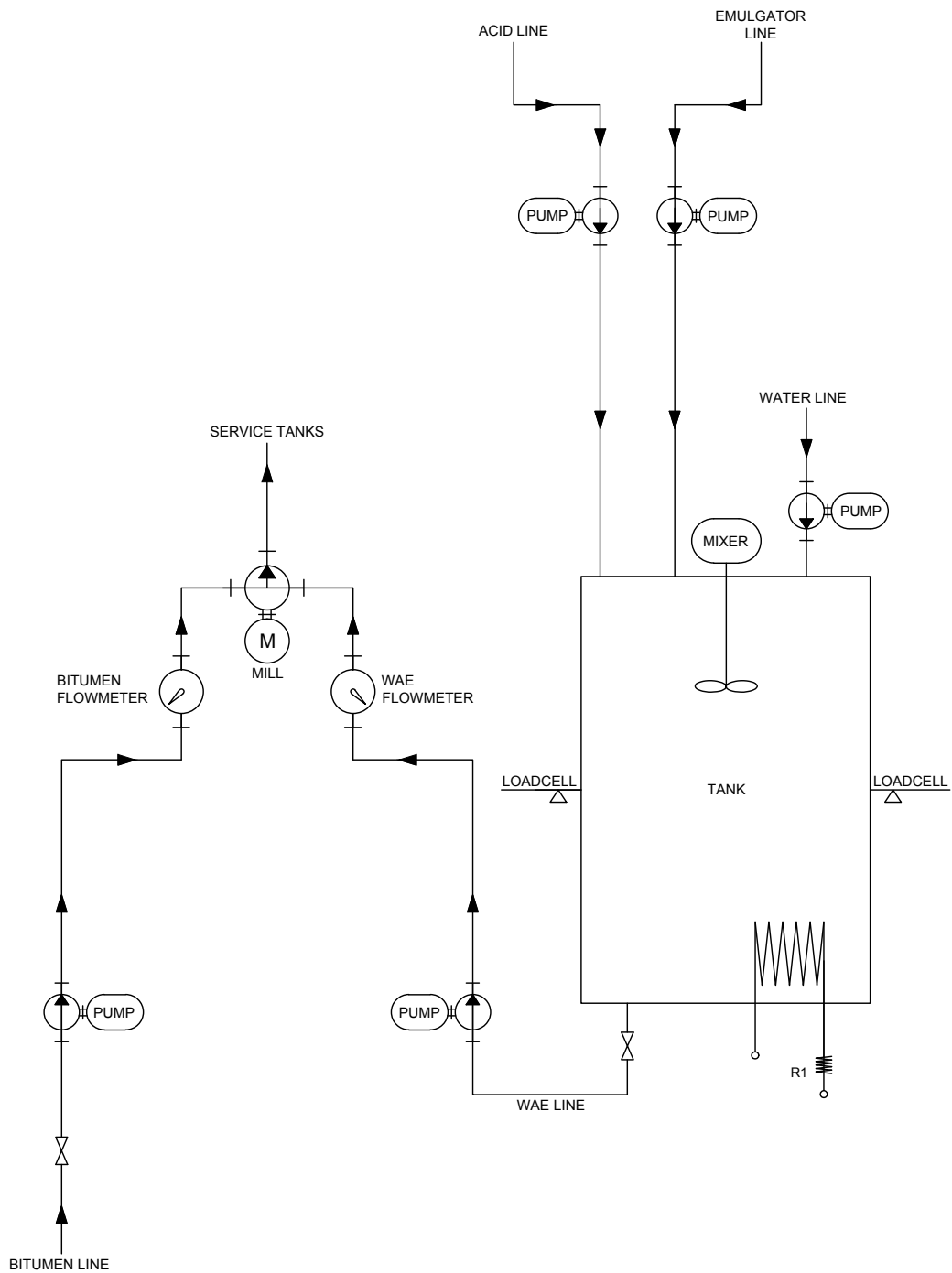
## OPTIONS

ELECTRICAL OR THERMAL OIL HEATING

ADDITIONAL KEROSENE / DIESEL FEEDING LINE

ADDITIONAL ADDITIVE LINES

AUTOMATIC PH MEASURING



# EMULTEK 15

## HIGH CAPACITY EMULSION PLANT

The EmulTEK 15 is the perfect solution for big projects. The bitumen emulsion plant offers top flexibility with different mix designs and recipes. Its compact dimensions make the EmulTEK 15 easy to transport to different job-sites.

### USAGE OF EMULSIFIED BITUMEN

- Tack coat between binder and wearing courses
- Prime coat
- Surface dressing
- Slurry seal
- Micro surfacing

### HIGHLIGHTS

- Up to 15 t/h capacity
- Fully automated control and reporting system by SCADA based software over PLC
- Flexibility for different mix designs and recipes
- Hot water inlet
- Automatic cleaning system
- Remote customer service via internet
- Easily transportable, suitable for container



## TECHNICAL DATA EMULTEK 15

SEMI-AUTO OR AUTOMATIC OPERATION POSSIBILITIES

COLLOIDAL MILL

STAINLESS STEEL PREMIX TANKS ON LOAD CELLS

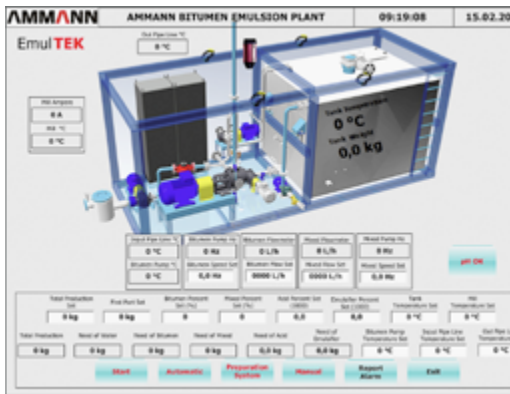
HEATING LINES FOR RAPID HEATING OF WATER

STAINLESS STEEL PUMP AND FLOW METER

BITUMEN FLOW METER WITH HEATED BODY

BARREL PUMP FOR ADDITIONAL SAFETY

TOUCH SCREEN MONITOR



## OPTIONS

ELECTRICAL OR THERMAL OIL HEATING

ADDITIONAL KEROSENE / DIESEL FEEDING LINE

SEPARATE CONTROL CABIN

ADDITIONAL ADDITIVE LINES

IN LINE PRODUCTION

AUTOMATIC PH MEASURING

